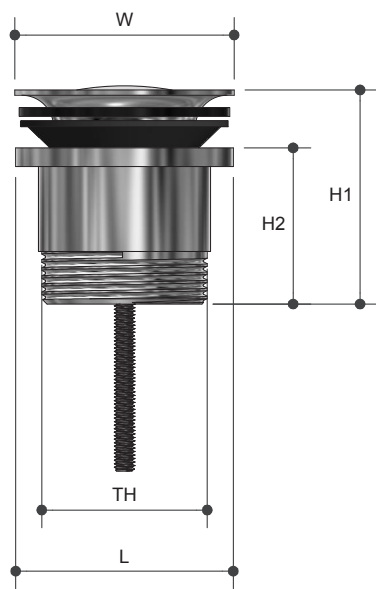


Plug and Wastes

POP UP BASIN WITH ADJUSTABLE 2 PART

PWAD32

Product Specifications



Specifications

32mm outlet

Sizing Chart (MM)

	L	H1	H2	W	TH	SIZE
PWAD32	62	61	45	63	G 1 1/2"	32MM X 40MI
PWAD32MB	62	61	45	63	G 1 1/2"	32MM X 40MI

Features

Watermark approved

Chrome plated finish

Tested and certified to WMTS 040



For more information on Monopoly Tapware, contact:
Austworld 15 Activity Crescent, Molendinar, Queensland 4214 Australia
P. 1300 780 430 F. 1300 780 441 E. info@austworld.com.au

Austworld Pty Ltd. All rights reserved 2018. Austworld and Monopoly Tapware are registered trade mark belonging to Austworld Pty Ltd.

