

MILDRED VALVE

SPECIFICATION GUIDE

PRODUCT DESCRIPTION

The Mildred Valve is an electronic automated shut off valve for mains water supply systems in the event of a leak as specified below and in accordance with the requirements of the Plumbing Code of Australia (PCA) and WMTS-476:2016.

COMPLIANCE

- ✓ Standard AS/NZS 3500.4:2018 WaterMark WMTS-476:2016 WaterMark Licence No. 080023
- ✓ WaterMark ATS 5200.012
- ✓ WaterMark Licence No. 020042

SCOPE OF USE

- ✓ Maximum operating temperature at 90°C
- ✓ Maximum pressure 2500kPa
- ✓ For internally installed hot water systems only
- ✓ Must be installed by a licenced Plumber

SPECIFICATION

MODEL NAME: Mildred Valve

MODEL NUMBER: 12020002

DIMENSIONS: 91mm W x 150mm H x 86mm D

WEIGHT: 700grams

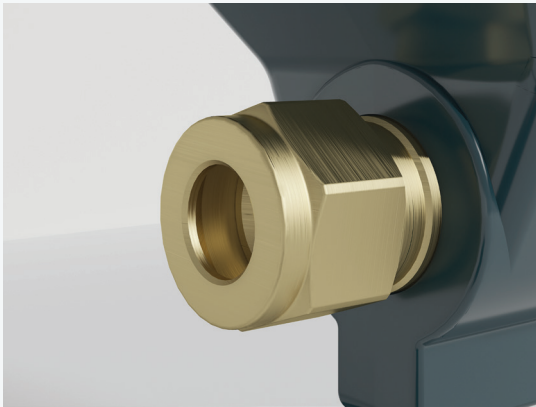
MATERIAL: Recycled polypropylene (PP) for the 'body'



Viewing Window



Sensor



Fitting



Example of Installation

MILDRED VALVE SPECIFICATION GUIDE

COMPONENT DIMENSIONS

- ✓ Mildred Valve size: RP 15mm (1/2")
- ✓ 15mm C x C, DR Brass, Compression nut and copper olive, Full bore

HOW DOES IT WORK

Mildred Valve is a sensor driven, 3 piece ball valve that's actuated by an electrical motor

FEATURES AND BENEFITS

- ✓ Install up to 1m
- ✓ Easy to install, 360 degrees installation
- ✓ Automated - putting your safety first
- ✓ Robust floor sensor
- ✓ Single button functionality
- ✓ Audible Alarm and Visual Diagnosis
- ✓ Australian Made
- ✓ Watermark Approved
- ✓ 1 Year Warranty